

## 1/8 NPT COUPLING BODY ( WITH VALVE)

Part #: **VCMD1002**

Connection Type: In Line Pipe Threaded

Material: Brass

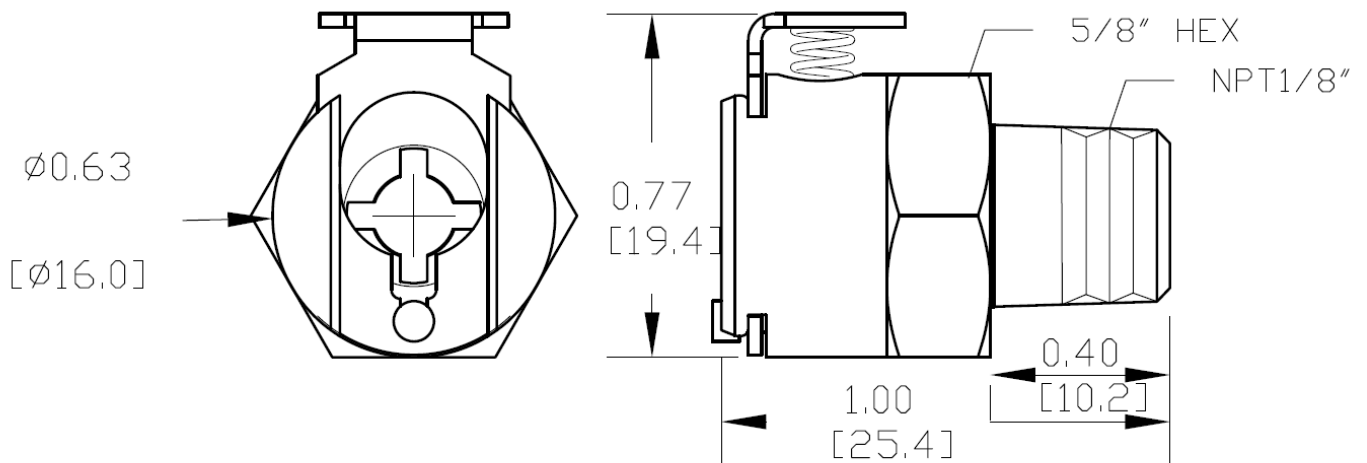
Material Finish: Chrome Plated

Pressure Range: Vacuum to 250 psi, 17.3 bar

Temp. Range: -40°F to 180°F (-40°C to 82°C)

Mounting Option: 1/8 NPT

Valve Option: With Shut Off Valve



### Components:

Main Body: Chrome Plated Brass

Valve: Natural Acetal

Thumb Latch: Stainless Steel

Valve Spring: Stainless Steel

External Spring: Stainless Steel

Seal: Nitrile